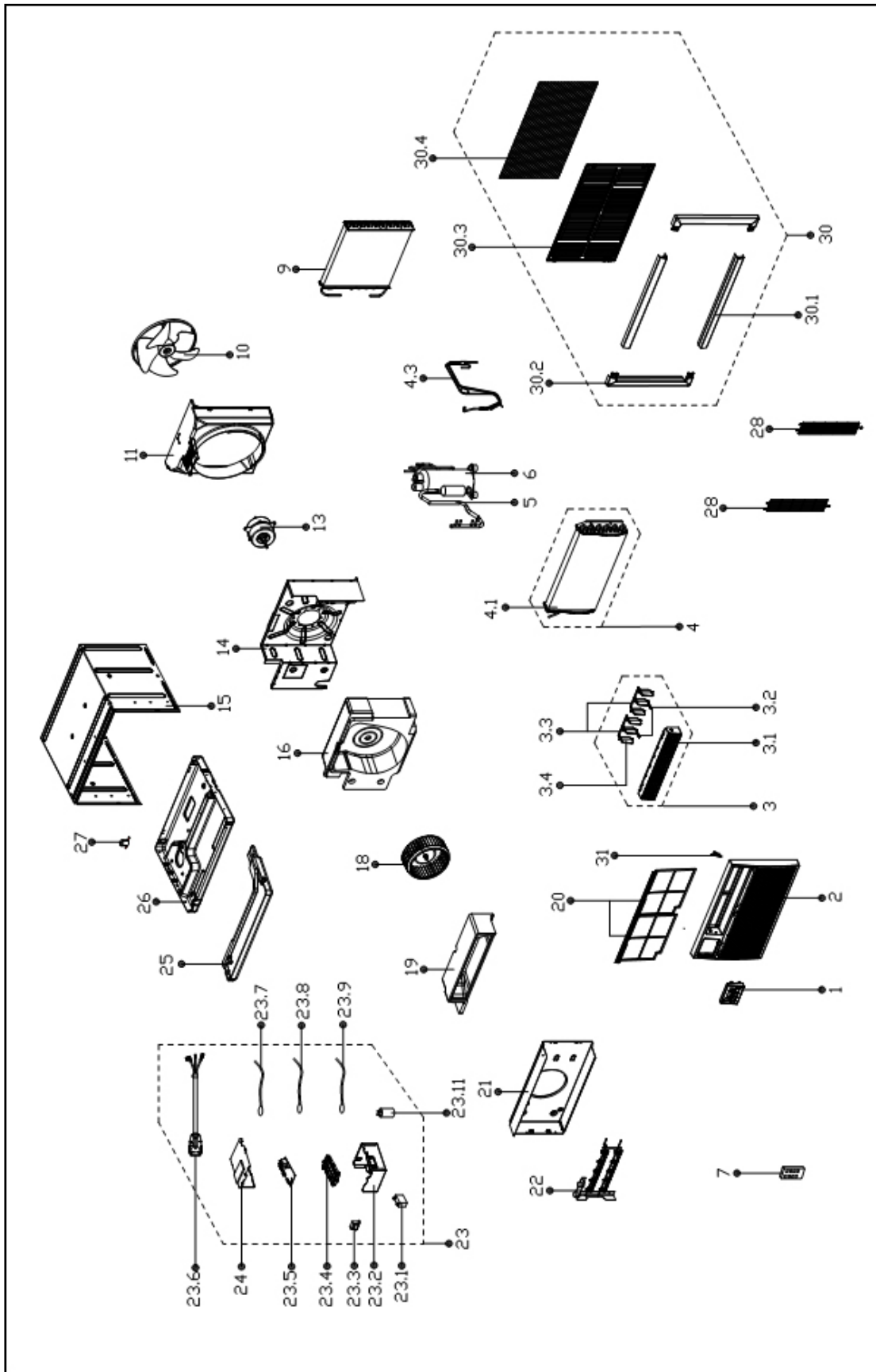


HEAT CONTROLLER




**REPLACEMENT
PARTS LIST**

**Room Air Conditioner with R-410A:
BGE-123M**

EXPLODED VIEW



REPLACEMENT PARTS

| Location | Part Name | Quantity | Part No. |
|----------|--|----------|----------------|
| 1 | Structure Subassembly of Display Box  | 1.0 | 17220300A00418 |
| 2 | Panel | 1.0 | 12120300A00716 |
| 3 | Air Out Frame Assembly | 1.0 | 12120300A00632 |
| 3.1 | Air Out Frame | 1.0 | 12120300000837 |
| 3.2 | Louver | 2.0 | 12120300A00575 |
| 3.3 | Louver Intermediate Rod | 2.0 | 12120300A00685 |
| 3.4 | Louver | 4.0 | 12120300A00579 |
| 4 | Evaporator assembly Gas valve assembly | 1.0 | 15820300000167 |
| 4.1 | Evaporator | 1.0 | 15820300000490 |
| 4.3 | Capillary Assembly | 1.0 | 15120300001157 |
| 5 | Parts of compressor exhaust pipe | 1.0 | 15120300001048 |
| 6 | Fixed speed rotary compressor | 1.0 | 11103010001161 |
| 7 | Remote controller | 1.0 | 17317000A03529 |
| 8 | Sub-cooling pipe assembly | 1.0 | 15120300002830 |
| 9 | Condenser Assembly | 1.0 | 15820300000585 |
| 10 | Axial fan | 1.0 | 12100105000053 |
| 11 | Rear barrier Subassembly | 1.0 | 12120300000548 |
| 13 | Single-phase Asynchronous Motor | 1.0 | 11002012001339 |
| 14 | Front Boarding assembly | 1.0 | 12220300000568 |
| 15 | Frame | 1.0 | 12220300000793 |
| 16 | Rear Air Duct Foam Subassembly | 1.0 | 12820300000040 |
| 18 | Centrifugal Fan | 1.0 | 12100103000030 |
| 19 | Front Air Duct Foam | 1.0 | 12820300000075 |
| 20 | Filter | 1.0 | 12100204A00046 |
| 21 | Electrical Heating and Installing Box Subassembly | 1.0 | 12220300001094 |
| 22 | Electric Heater Assembly | 1.0 | 17402004000036 |
| 23 | E-Parts Box Subassembly of Upper Air-out Window Series | 1.0 | 17220300000402 |
| 23.1 | Fan Motor Capacitor | 1.0 | 17400101000015 |
| 23.2 | Electrical Control Box | 1.0 | 12220300000467 |
| 23.3 | Power Transformer | 1.0 | 11203103000249 |
| 23.4 | Mounting rack of main control panel | 1.0 | 12120300000521 |
| 23.5 | Main Control Board Subassembly  | 1.0 | 17120300000505 |
| 23.6 | Power Supply Cable Subassembly  | 1.0 | 17401202000107 |
| 23.7 | Temperature Sensor | 1.0 | 11201007000126 |
| 23.8 | Room Temperature Sensor | 1.0 | 11201007000003 |
| 23.9 | Discharge temperature sensor assembly | 1.0 | 11201007000198 |
| 23.11 | Compressor Capacitor(Round) | 1.0 | 17400103000055 |
| 24 | Electrical Control Box Cover-Structure Subassembly | 1.0 | 12220300001092 |
| 25 | Drain Pan | 1.0 | 12820300000059 |
| 26 | Chassis Assembly | 1.0 | 12220300000436 |
| 27 | Thermal drain valve | 1.0 | 17400510000003 |
| 28 | Rear Protective Net | 1.0 | 12220300001103 |
| 28 | Rear Protective Net | 1.0 | 12220300001104 |
| 30 | Installing Accessories | 1.0 | 12020300000028 |
| 30.1 | Top and Down shutter frame | 2.0 | 12120300001334 |
| 30.2 | Left and right frame strip | 2.0 | 12120300001353 |
| 30.3 | Air inlet grille | 1.0 | 12920300000001 |
| 30.4 | Plastic Rear Guard | 1.0 | 12120300001299 |
| 31 | Filter guide block | 1.0 | 12120300001302 |
| | Display label | 1 | 16020300A02049 |



Due to ongoing product improvements, specifications and dimensions are subject to change and correction without notice or incurring obligations. Determining the application and suitability for use of any product is the responsibility of the installer. Additionally, the installer is responsible for verifying dimensional data on the actual product prior to beginning any installation preparations.

Incentive and rebate programs have precise requirements as to product performance and certification. All products meet applicable regulations in effect on date of manufacture; however, certifications are not necessarily granted for the life of a product. Therefore, it is the responsibility of the applicant to determine whether a specific model qualifies for these incentive/rebate programs.

HEAT CONTROLLER

1900 Wellworth Ave., Jackson MI 49203 • Ph. 517-787-2100 • www.heatcontroller.com

A  Company